

### 02-12 Dodge Ram 1500 Quad Cab/Crew Cab 03-12 Dodge Ram 2500 & 3500 Quad Cab/Crew Cab *Underseat Storage*

*Fits DU-HA Part Numbers*  
30086  
30017  
30019

#### Materials Needed:

- // 13mm socket
- // 18mm socket

#### Installation Instructions:

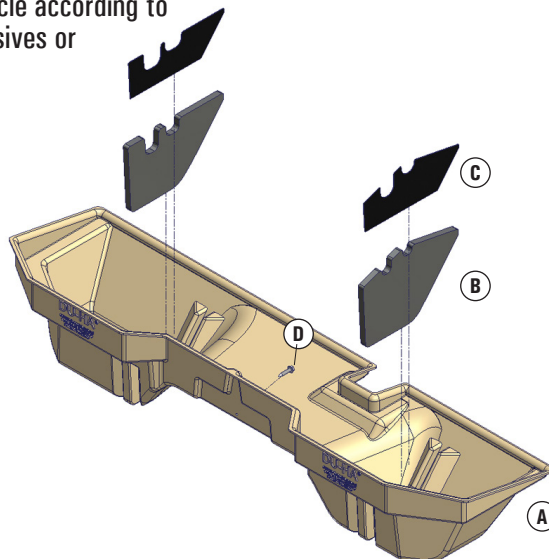
- 1 Flip up the bottoms of the back seats.
- 2 If your truck came equipped with optional metal trays, remove each tray by removing the two large bolts using an 18mm socket and the two small nuts using a 13mm socket. Once you have removed the metal trays, replace the braces, large bolts, and smaller nuts.
- 3 Remove the plastic push pin from carpet behind cup-holders, in the middle of the cab.
- 4 Set the DU-HA in the floor of the truck (as shown).
- 5 Secure the DU-HA in the truck using lag screw provided. Thread screw through pre-drilled hole in front center of DU-HA and screw it into the hole the plastic push pin was removed from. (There is a metal plate with a pre-drilled hole the lag screw screws into.)
- 6 If desired, install foam organizer/gun racks by sliding them into slots in the DU-HA (as shown). The foam organizer with larger slots needs to be installed on passenger side. Gun butts need to sit on passenger side so guns fit properly. For added support, slide plastic stiffeners next to foam organizers, facing inward, as shown in the drawing below.



#### Safety Instructions:

**Warning:** Seat bottom must be latched down at all times while vehicle is moving. Make sure the DU-HA is secured in the vehicle according to installation instructions. Do not store explosives or hazardous materials in the DU-HA. Do not place loaded guns in the DU-HA.

For further instructions refer to truck owners manual or contact DU-HA, Inc.



Part	Description	Qty
A	DU-HA Storage Unit	1
B	Foam Organizer / Gun Rack	2
C	Plastic Stiffener	2
D	Lag Screw – 3"	1