

### 99-07 Chevrolet LS & GMC SLE Regular Cab (Classic) Behind-the-Seat Storage

*Fits DU-HA Part Numbers*  
10026  
10027  
10028

#### Installation Instructions:

- 1 Tilt the seat(s) forward.
- 2 Remove the plastic wing nut from the current plastic jack cover, behind the seat.
- 3 Thread the metal D022505 extension coupler (included) onto the shaft in the current plastic jack cover.
- 4 Place the DU-HA on top of the current plastic jack cover with the DU-HA lettering facing forward, making sure to line up the hole in the DU-HA with the hole in the jack cover.
- 5 Place the included washer on top of the hole in the DU-HA, then screw the wing nut onto the metal D022505 extension coupler. Tighten until snug. Do not over tighten.
- 6 If desired, install the foam organizer/gun racks with the plastic stiffeners by bending and snapping them into the channel slots in the DU-HA (as pictured). Gun racks can be installed to hold two guns or one gun depending on how you install them. You may also use a bungee cord or other type of strap to secure guns in the DU-HA by threading the bungees or straps through the slots in the top of the DU-HA.

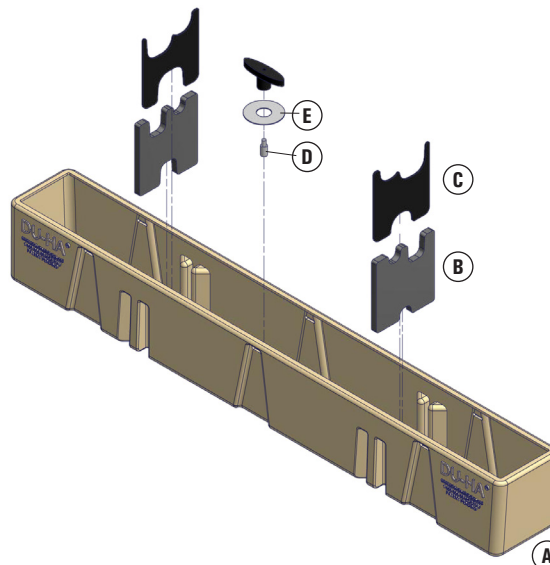


**F** 2 extra straps are included to secure guns/gear in place.



#### Safety Instructions:

**Warning:** Seat back must be up and latched at all times while vehicle is moving. Make sure the DU-HA is secured in the vehicle according to installation instructions. Do not store explosives or hazardous materials in the DU-HA. Do not place loaded guns in the DU-HA. For further instructions refer to truck owners manual or contact DU-HA, Inc.



Part	Description	Qty
A	DU-HA Storage Unit	1
B	Foam Organizer / Gun Rack	2
C	Plastic Stiffener	2
D	D022505 Extension	1
E	Washer 10026/10027 – 3"	1
F	Nylon Strap with Buckle	2

### 99-07 Chevrolet & GMC Regular Cab (Classic) – Base Model *Behind-the-Seat Storage*

*Fits DU-HA Part Numbers*  
10026  
10027  
10028

#### Materials Needed:

- // Screwdriver

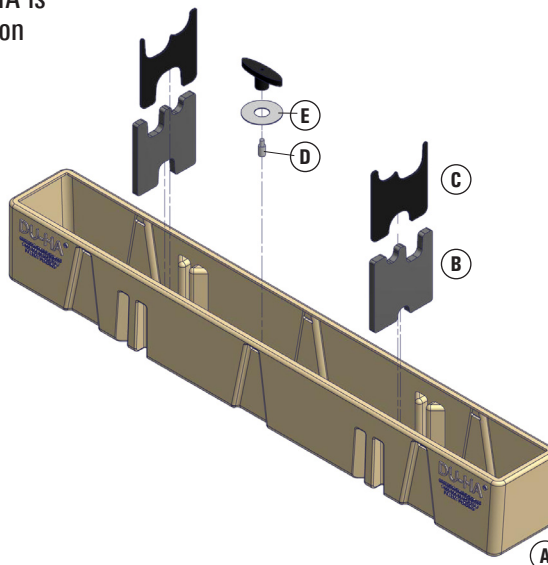
#### Installation Instructions:

- 1 Tilt the seat(s) forward.
- 2 Remove the bracket and wing nut from the jack handles behind the seat, leaving the jack handles in place.
- 3 Pry the wing nut off of the metal bracket using a screwdriver.
- 4 Place the DU-HA on top of the jack handles, with the DU-HA lettering facing forward, making sure to line up the hole in the DU-HA with the bolt that holds the jack handles in place.
- 5 Place the included washer on top of the hole in the DU-HA, then screw the wing nut onto the pre-existing bolt through the DU-HA. Tighten until snug. Do not over tighten.
- 6 If desired, install the foam organizer/gun racks with the plastic stiffeners by bending and snapping them into the channel slots in the DU-HA (as pictured). Gun racks can be installed to hold two guns or one gun depending on how you install them. You may also use a bungee cord or other type of strap to secure guns in the the DU-HA by threading the bungees or straps through the slots in the top of the DU-HA.



#### Safety Instructions:

**Warning:** Seat back must be up and latched at all times while vehicle is moving. Make sure the DU-HA is secured in the vehicle according to installation instructions. Do not store explosives or hazardous materials in the DU-HA. Do not place loaded guns in the DU-HA. For further instructions refer to truck owners manual or contact DU-HA, Inc.



Part	Description	Qty
A	DU-HA Storage Unit	1
B	Foam Organizer / Gun Rack	2
C	Plastic Stiffener	2
D	D022505 Extension	1
E	Washer 10026/10027 – 3"	1
F	Nylon Strap with Buckle	2