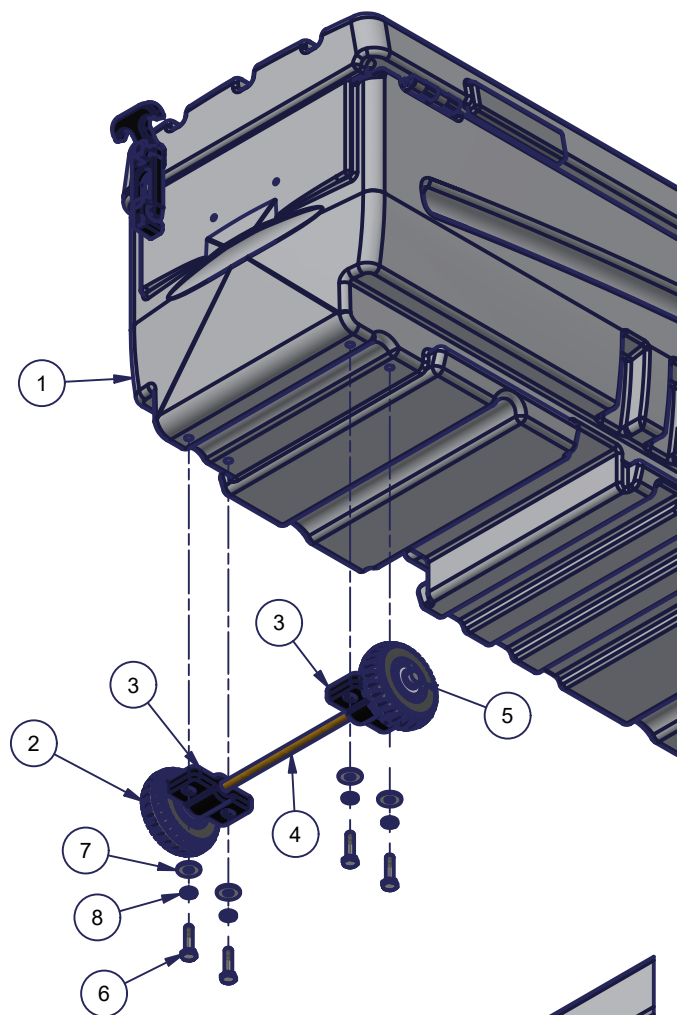


STEP 1 - Attach Wheel Kit

Attach the Humpstor wheel kit assembly to the bottom of the Humpstor Storage Box (1). The Wheel Kit can be attached to either end. Hold the pre-assembled wheel kit over the inserts in the bottom of the Humpstor Storage Box (1). Line up the slots in the Axle Bushings (3) with the inserts in the bottom of the Humpstor Storage Box (1). Secure using 1/4" Flat Washers (7) 1/4" Lock Washers (8) and 1/4" x 1" Hex Bolts (6). Do not over tighten.

Parts List			
ITEM	QTY	PART NUMBER	DESCRIPTION
1	1	70800/70801	Humpstor Storage Box
2	2	1001132	Wheel with tread for 5/16" Axle
3	2	1001063	Axle Bushing
4	1	1001237	Axle Rod 5/16" x 11-1/8" - Humpstor
5	2	1001023	Axle Cap Nuts 5/16"
6	4	1001195	Bolt Hex 1/4 -20 x 1.00 Zinc
7	4	1001155	Washer Flat 1/4 Zinc
8	4	1001010	Washer Lock 1/4" - Zinc



STEP 2 - Attach End Handle

Place Handle (2) over inserts in end of Humpstor Storage Box (1) on opposite end of Wheel Kit. Insert two BHSCS #10-32 x 1/2" (3) through Flat Washer - #10 (4), Handle (2) and thread into inserts in Humpstor Storage Box (1). Use 1/8" Hex Key Wrench.

Parts List			
ITEM	QTY	PART NUMBER	DESCRIPTION
1	1	70800/70801	Humpstor Storage Box
2	1	1001044	Handle - 90 Degree Metal- Black
3	2	1001259	Screw BHSCS #10-32 x 1/2" SS
4	2	1001143	Washer - Flat #10 x 1/2 OD SS

