

Installation Instructions

2006-2014 & 2017-2020 Honda Ridgeline Underseat Storage

Fits DU-HA Part Numbers

- Gray - 50039
- Beige - 50040
- Olive - 50041
- Black - 50074

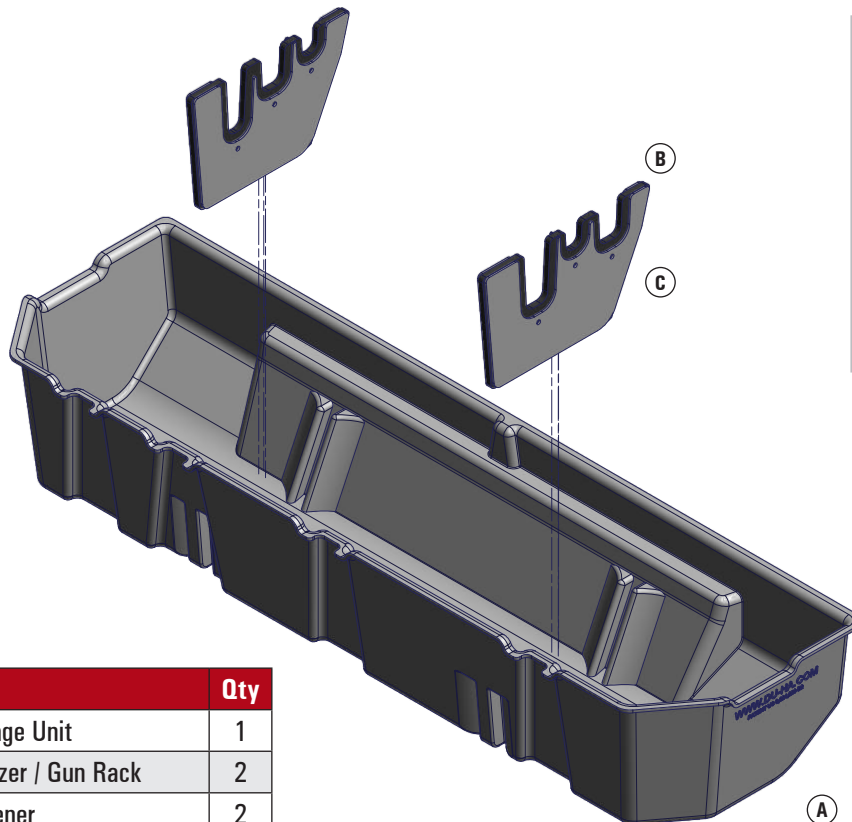
Installation Instructions:

- 1 Flip up back seats by pulling the handle on the side of each seat.
- 2 Place the DU-HA under the back seats (as pictured).
- 3 If desired, install the foam organizer/gun racks with the plastic stiffeners by sliding them into the channel slots in the DU-HA (as pictured).
- 4 Flip down back seats by pulling the handle on the side of each seat. Make sure to flip out the support leg on the bottom of the seat and place it into its slot on the floor in front of the Du-ha.



Safety Instructions:

Warning: Seat bottom must be latched down at all times while vehicle is moving. Make sure the DU-HA is secured in the vehicle according to installation instructions. Do not store explosives or hazardous materials in the DU-HA. Do not place loaded guns in the DU-HA. For further instructions refer to truck owners manual or contact DU-HA, Inc.



Part	Description	Qty
A	DU-HA Storage Unit	1
B	Foam Organizer / Gun Rack	2
C	Plastic Stiffener	2