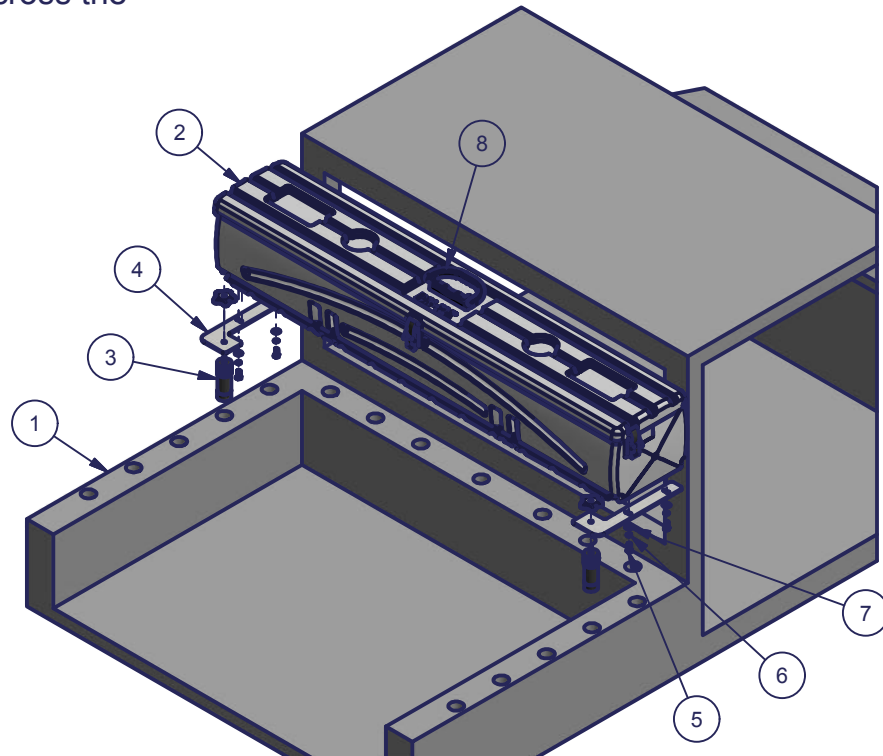
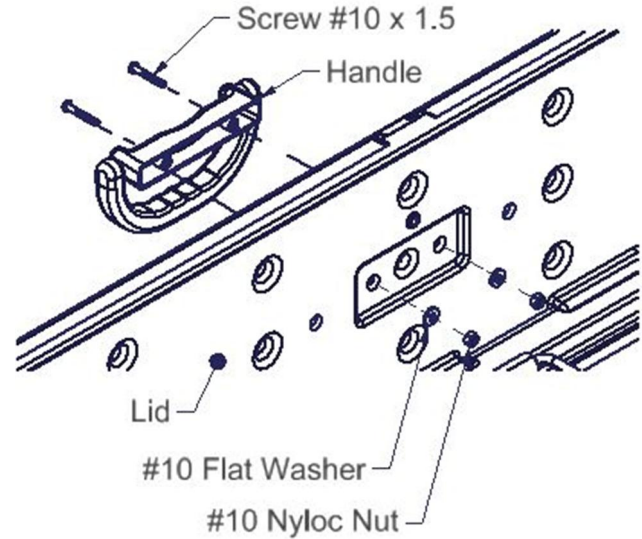


70401 – DU-HA All-Terrain for Bobcat and Ranger UTV Mid-Size Box

Installation Instructions:

1. Attach handle to lid using #10 x 1-1/2" button head screws, #10 washers and #10 Nylock nuts.
2. Attach mounting plates to the bottom of the Humpstor using two 1/4" washers, lock washers and 1/4" x 5/8" hex bolts (each side) Make sure plates are positioned correctly with the mounting hole for the Plunger Plugs towards the front of the DU-HA All-Terrain and to the inside (as shown).
3. Attach Plunger Plugs to the mounting plates by inserting the threaded portion through the bottom side of the hole in the mounting plate and thread on the star knob on the top side of the plate (leave loose for now).
4. Set the DU-HA All-Terrain on the box of the Ranger or Bobcat UTV make sure the Plunger Plugs slide all the way into the holes on the UTV. Press down on the mounting plates and tighten the plunger plugs.

Note: Mid-Size box has 7 holes across the front of the box and the Full-Size box has 9 holes across the front of the box.



Parts List			
ITEM	QTY	PART NUMBER	DESCRIPTION
1	1	--	Ranger Mid-Size Box or Bobcat Mid-Size Box
2	1	70401	DU-HA All-Terrain For Ranger or Bobcat UTV with Mid-Size Box
3	2	1001053	Plunger Plug - Expandable Large
4	2	1001031	All-Terrain Mid-Size Box Mounting Plate
5	4	1001009	Hex Bolt 1/4" x 5/8"
6	4	1001010	Lock Washer 1/4 Zinc Plated
7	4	Washer - Flat 1/4"	Washer 1/4"
8	1	Handle Regular	Regular Handle - Black
9	2	1001006	Screw #10 x 1.5
10	2	Washer - Flat #10	Washer Flat #10
11	2	Lock Nuts #10	Nut Nylock #10