

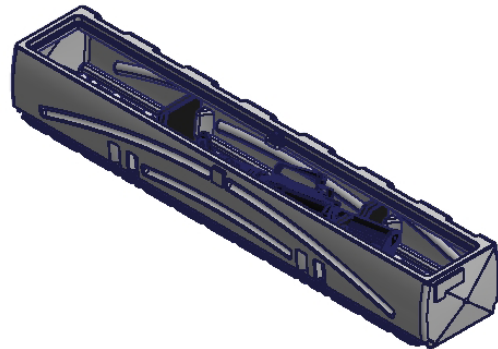
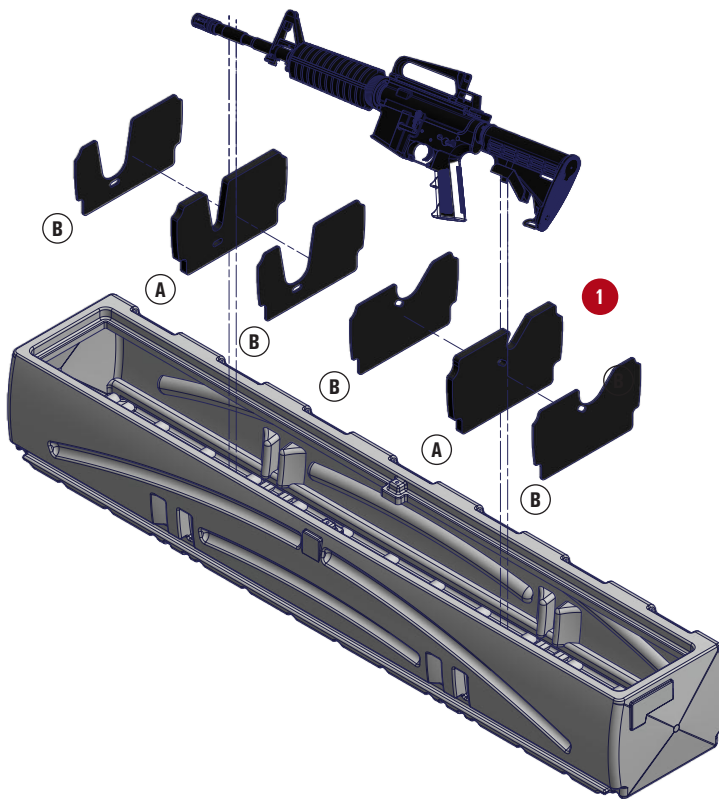
Humpstor or All-Terrain Optional Gun Racks for AR Rifle

Fits DU-HA Part Numbers

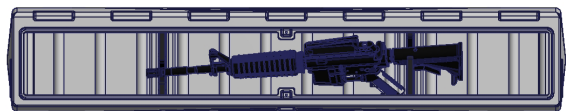
- 1 Sandwich each Foam Organizer / Gun Holder (A) in between two Plastic Stiffeners (B). Place each Foam Organizer / Gun Holder / Stiffener assembly into the channel slots in the side walls of the Humpstor / DU-HA All-Terrain, facing opposing directions.
 Note: You may have to flex the assembly to get it into place.
 (Hint – Stock of gun should rest in large angled groove; barrel should rest in small groove.)

70200 70400
 70300 70401
 70201

- 2 **Velcro Straps**
 To secure guns in the Humpstor, loop each Velcro Strap (C) through the holes in the top of the Foam Organizer / Gun Rack (A) / Stiffener (B) assembly. Wrap the Velcro Strap around the gun, then attach the Velcro Strap to itself and make sure it is securely fastened.
 Note: Proper use of Velcro Straps helps prevent guns from bouncing on rough terrain.



Side View



Top View

Safety Instructions:

Warning:

Do not store explosives or hazardous materials in the Humpstor or DU-HA All-Terrain.
 Do not place loaded guns in the Humpstor or DU-HA All-Terrain.
 For further instructions refer to truck owners manual or contact DU-HA, Inc.

Part	Description	Qty
A	Foam Organizer / Gun Rack	2
B	Plastic Stiffener	4
C	Velcro Straps	2